

STL-S Series Street Light



20W/30W/
40W/50W/60W

80W/100W/120W

150W/180W/200W



Small size: XJ-STL20W-S, XJ-STL30W-S,

XJ-STL40W-S, XJ-STL50W-S, XJ-STL60W-S

Medium size: XJ-STL80W-S, XJ-STL100W-S, XJ-STL120W-S

Large size: XJ-STL150W-S, XJ-STL180W-S, XJ-STL200W-S

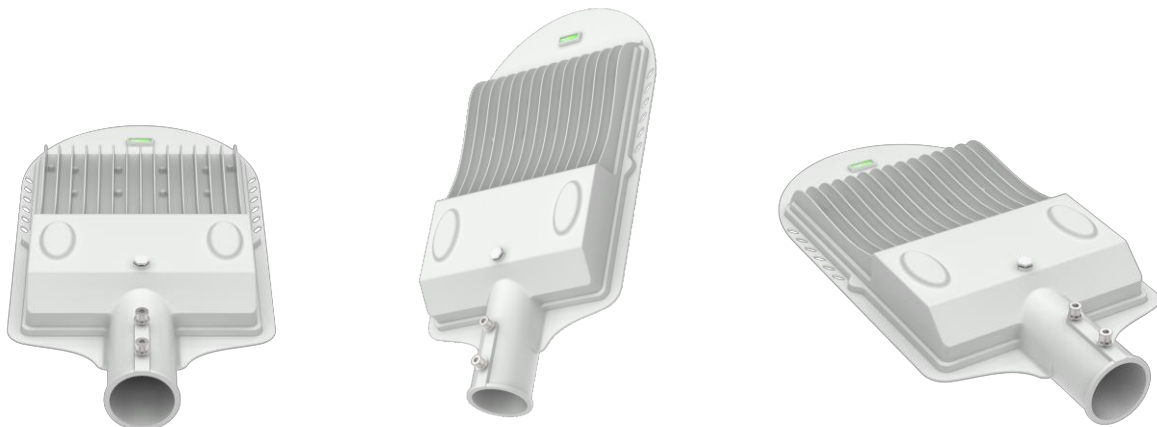
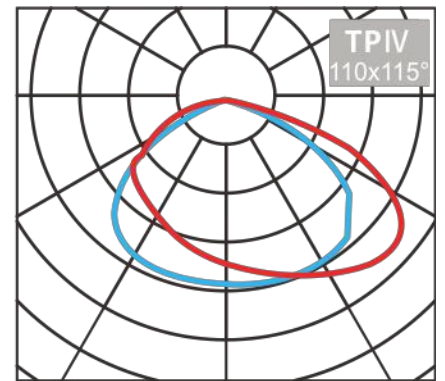
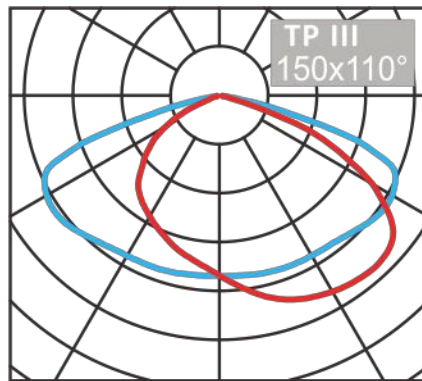
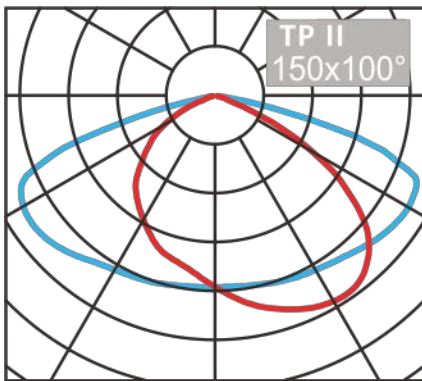
Features

STL-Sseriesstreetlight designedformainroads,secondaryroads,ruralroads, parks and other places, Simplified lamp body structure, low cost and high light efficiency.

ProductsusinglumiledslightsourcesandSOSENConstantCurrentPowerDriver, L80B20canreachmorethan50,000hours.TemperedGlassandPolycarbonate OpticalLens,ProtectionleveluptoIK08andIP66rating.

Photometry

Differentopticaloptionstosuitmoreapplications



Specifications

ItemNO.	XJ-STL20W-S/XJ-STL30W-S/XJ-STL40W-S/ XJ-STL50W-S/XJ-STL60W-S/XJ-STL80W-S/ XJ-STL100W-S/XJ-STL120W-SXJ-STL150W-S/ XJ-STL180W-S/XJ-STL200W-S
BrandofLEDChips	LUMILEDSLED
BrandofLEDDriver	SOSEN/MEANWELL
DriverType	ConstantCurrent(CC)
InputVoltage&Frequency	100-305Vac 50/60Hz
LuminousFlux	28000LM/200W
LEDLuminaireEfficacy	>145LM/W
Housing	AluminumAlloy
Finish	PowderCoating
FixtureColor	Gray/White
Optics	TemperedGlassandPolycarbonateOpticalLens
SurgeProtection	10kV(standard)/20kV
IP/IKRating	IP66/IK08
OperatingTemperature	-40-50°C
Dimmable	DimmableandNon-dimmable
L80B20@Ta25°C	>50000H
IntelligentControl	DALI/Photocell
BeamAngle	TypeII(150x100°),TypeIII(150x110°), TypeIV(110x115°)
Bushingdiameter	60mm
Certifications	CB,TUV,CE,RoHS,SAA
Warranty	5Years

Note:LightopticwithalittledeviationfordifferentcolortemperatureLED , deviationvalue≤10%

Applications



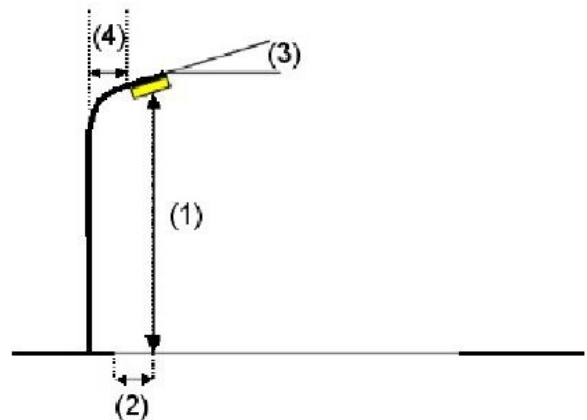
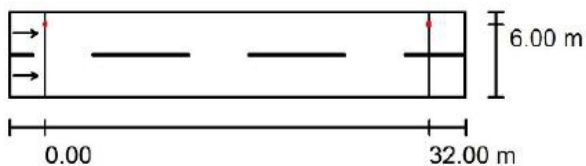
DialuxSimulation

Street Profile

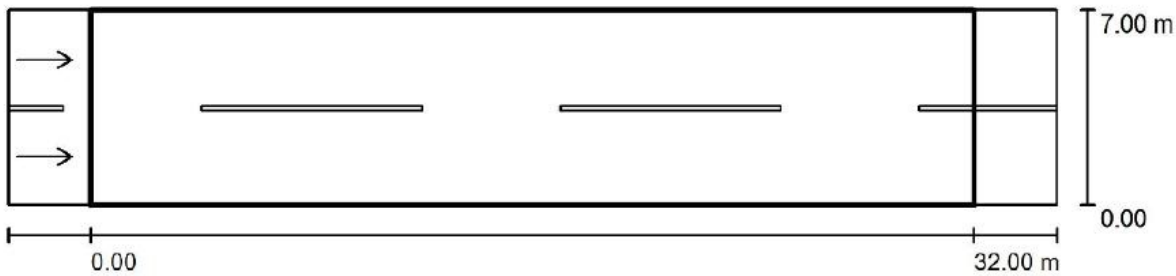
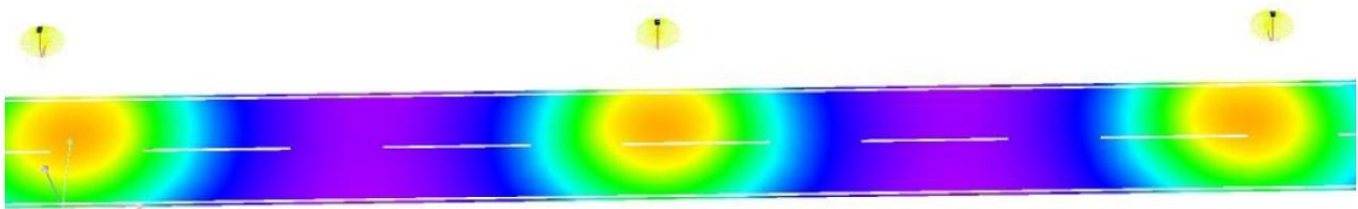
Roadway 1 (Width: 7.000 m, Number of lanes: 2, tarmac: R3, q0: 0.070)

Light loss factor: 0.67

Luminaire Arrangements



Luminaire:	SEEKING XJ-STL80W-3030-TP3	Maximum luminous intensities
Luminous flux (Luminaire):	11286 lm	at 70°: 260 cd/klm
Luminous flux (Lamps):	11285 lm	at 80°: 41 cd/klm
Luminaire Wattage:	80.4 W	at 90°: 5.24 cd/klm
Arrangement:	Single row, top	Any direction forming the specified angle from the downward vertical, with the luminaire installed for use.
Pole Distance:	32.000 m	No luminous intensities above 90°.
Mounting Height (1):	8.000 m	Arrangement complies with luminous intensity class G5.
Height:	8.000 m	Arrangement complies with glare index class D.5.
Overhang (2):	1.000 m	
Boom Angle (3):	0.0 °	
Boom Length (4):	0.500 m	



Light loss factor: 0.67

Scale 1:272

Grid: 11 x 6 Points

Accompanying Street Elements: Roadway 1.

tarmac: R3, q0: 0.070

Selected Lighting Class: ME4a

(All lighting performance requirements are met.)

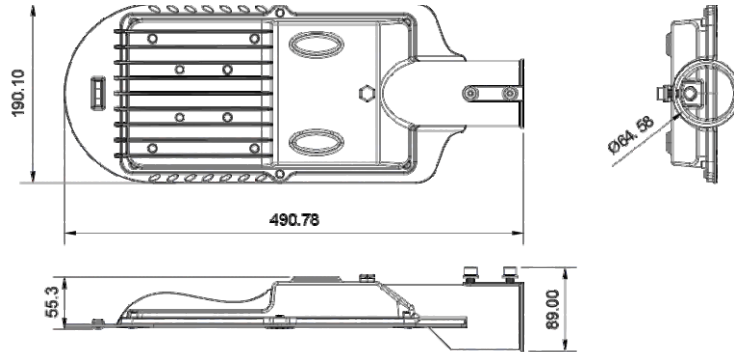
	L_{av} [cd/m ²]	U0	UI	TI [%]	SR
Calculated values:	0.77	0.50	0.66	8	0.72
Required values according to class:	≥ 0.75	≥ 0.40	≥ 0.60	≤ 15	≥ 0.50
Fulfilled/Not fulfilled:	✓	✓	✓	✓	✓

Assigned observer (2 Pieces):

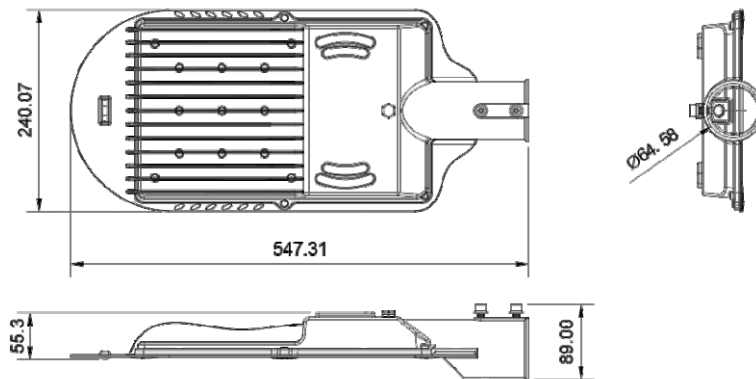
No.	Observer	Position [m]	L_{av} [cd/m ²]	U0	UI	TI [%]
1	Observer 1	(-60.000, 1.750, 1.500)	0.80	0.52	0.66	6
2	Observer 2	(-60.000, 5.250, 1.500)	0.77	0.50	0.66	8

Dimension

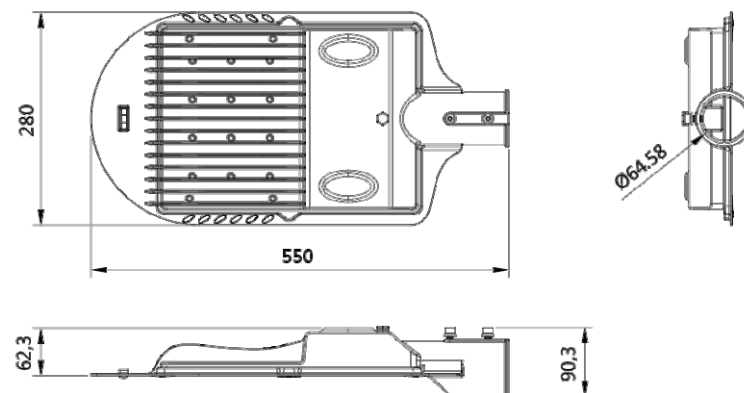
Unit:mm



Smallsize

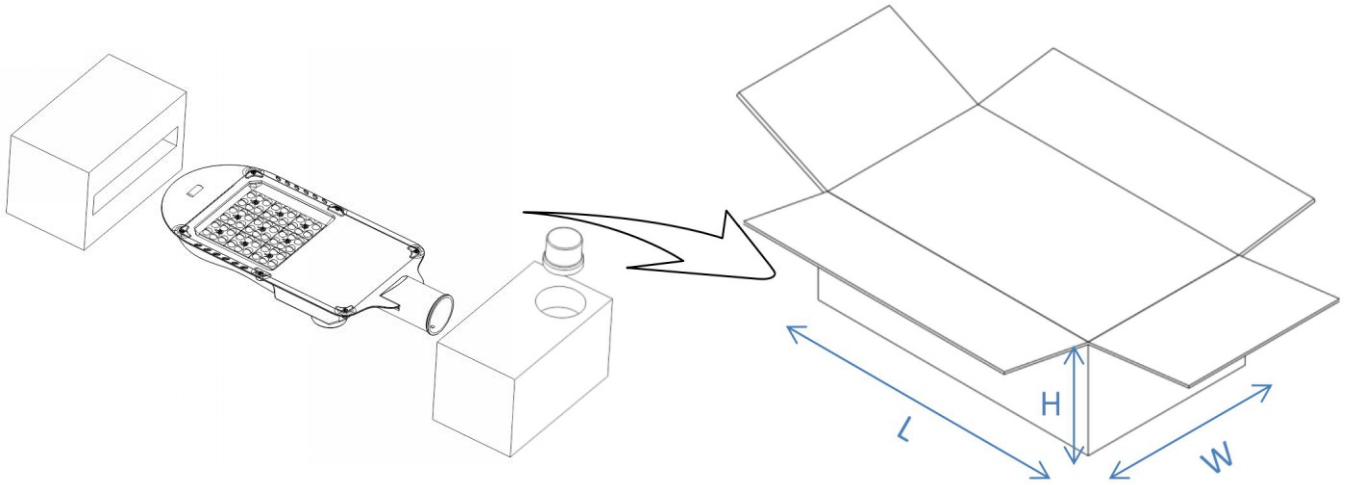


Mediumsize



Largesize

Packing



Model	CartonSize(LxWxH)	Qty.	N.W.	G.W.
20W-60W	53.5x23.5x12cm	1PC/CTN	2.5kg	3.3kg
80W-120W	59.5x29.0x15cm	1PC/CTN	3.5kg	4.5kg
150W-200W	59.5x32.5x15cm	1PC/CTN	4.2kg	5.7kg